



FOOD EQUIPMENT

SERVING THE FOOD INDUSTRY SINCE 1951

HOME LINE 250 MEAT SLICERS (RED/BLACK)

Item: 47111 / 47113 | Model: MS-IN-0250H-R / MS-IN-0250H-BK

A REVOLUTION IN ELECTRIC SLICERS



Home Line 250 Meat Slicer captivates with its futuristic and sleek compact design. Get beautiful design along with functionality in your kitchen.



WARRANTY
PARTS AND LABOR

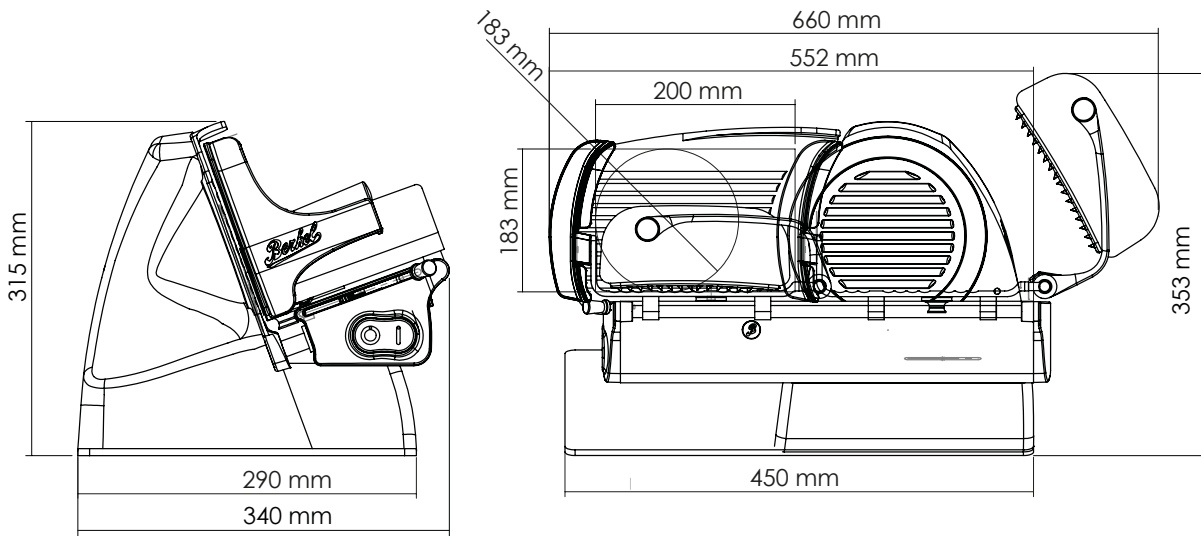


Authorized Dealer

FEATURES

This meat slicer brings design back into your kitchen without compromising functionality and safety standards. It was developed from professional Berkel technology. The chrome-plated steel blade delivers the perfect uniform slices, while reducing waste. The absence of sharp edges allows for easy and quick cleaning.

TECHNICAL DRAWING & DIMENSIONS



TECHNICAL SPECIFICATIONS

	Red	Black
Item	47111	47113
Model	MS-IN-0250H-R	MS-IN-0250H-BK
Power	0.19 kW	0.19 kW
Electrical	115V / 60Hz / 1Ph	115V / 60Hz / 1Ph
Blade	9.8" 250 mm	9.8" 250 mm
Cutting Size	□ 7.9" x 7.2 ○ 7.2" □ 200 x 183 mm ○ 183 mm	□ 7.9" x 7.2 ○ 7.2" □ 200 x 183 mm ○ 183 mm
Cut Thickness	0 - 20 mm	0 - 20 mm
Weight	32 lbs 14.5 kg	32 lbs 14.5 kg
Dimensions (DWH)	13.4" x 17.7" x 13.9"	13.4" x 17.7" x 13.9"

OMCAN INC.

Telephone: 1-800-465-0234
 Fax: (905) 607-0234
 Email: sales@omcan.com
 Website: www.omcan.com



Follow us to keep up to date with the latest news and offers

